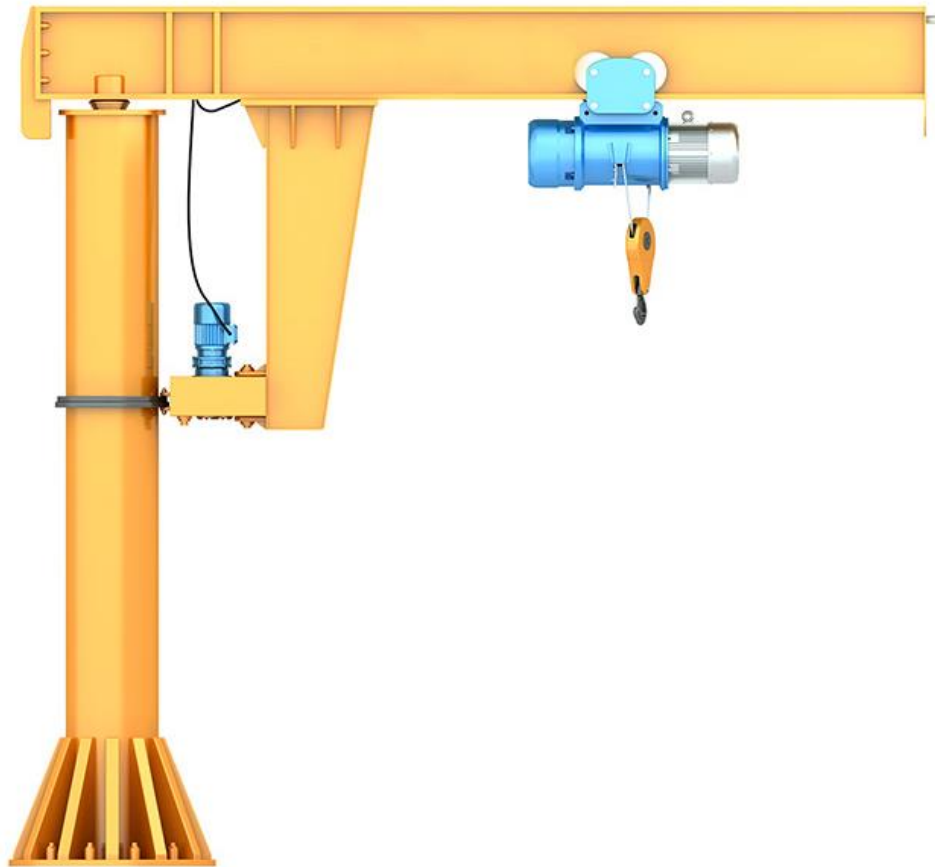




新乡市浩宇起重机械有限公司
Xinxiang HY Crane Co., LTD

Jib Crane Instruction



www.hycranes.com

Why choose Xinxiang HY Crane Products

1. **Professional:** HY Crane has its own professional factory which specialized in this field more than 10 years, with years of experience in the international markets.

2. **Mature product:** After a series of process improvement, it's a mature product of our company, with easy installation and stable quality, and most of all, pretty competitive price!

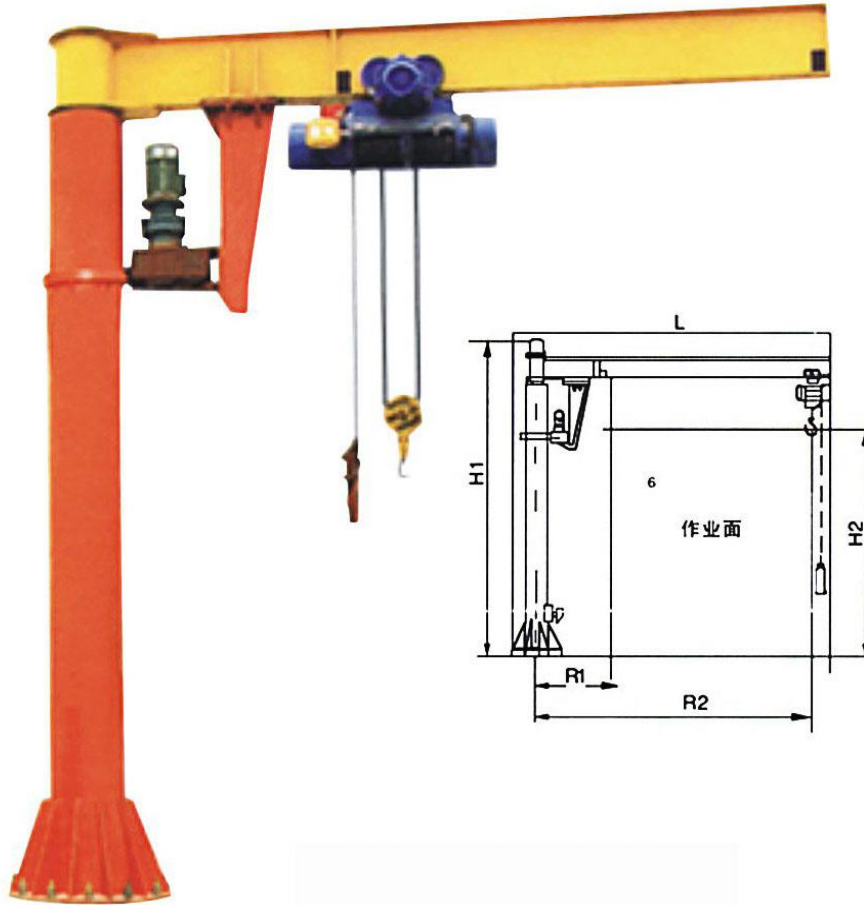
3. **Rapid production arrangement:** HY Crane offers quick manufacture program, which means that most cranes and most components can be manufactured in shortest working days. Fast, reliable, on time manufacture are the ways to make purchase easier.

4. **On-time shipping:** Since founded the on-time shipping percentage has been over 99%. We're proud that our customers can rely on us to ship their orders on time, keeping their installation schedules.

5. **Considerate service:** Most professional technical and sales team can provide most considerate service, which make the entire sales process efficient and comforting.



Freestanding Jib Crane

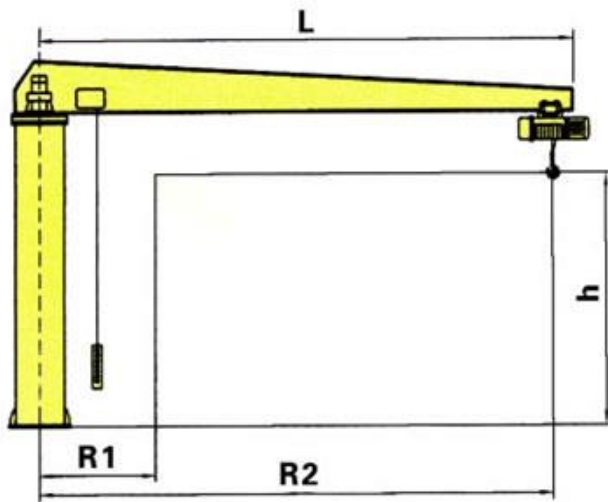


Model	Capacity (kg)	Lifting speed (m/min)	Angle of Rotation	L (mm)	R2 (mm)	R1 (mm)	H1 (mm)	H2 (mm)
BZ0.25-5	250	8/2	Any angle	4180	4000	1000	3910	3000
BZ0.5-5	500	4/1	Any angle	4160	4000	1000	4070	3000
BZ1-5	1000	8/2	Any angle	4160	4000	1000	4140	3000
BZ2-3	2000	4/1	Any angle	3460	3300	1000	4140	3000
BZ2-5	2000	4/1	Any angle	5260	5000	1300	4270	3000
BZ3-5	3000	8	Any angle	4260	4000	1600	5550	4000
BZ5-4	5000	8	Any angle	4175	4000	1900	4740	3000
BZ5-6	5000	8	Any angle	6175	6175	1900	5780	4000

Freestanding Jib Crane BZ7-B

Freestanding Jib Crane-BZZ BOSS

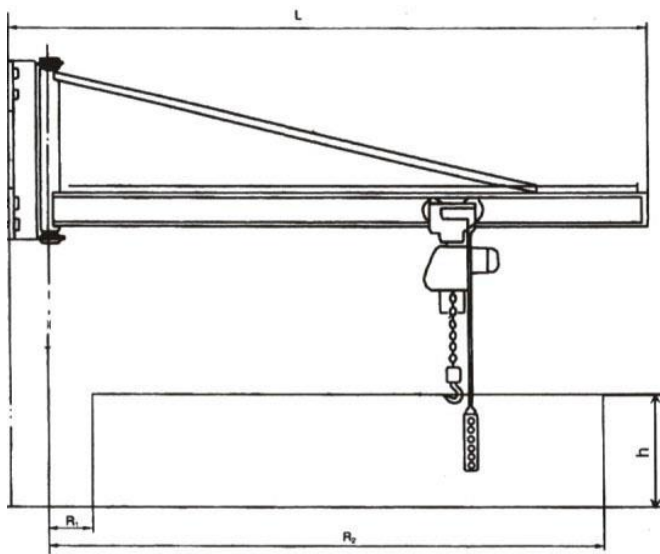
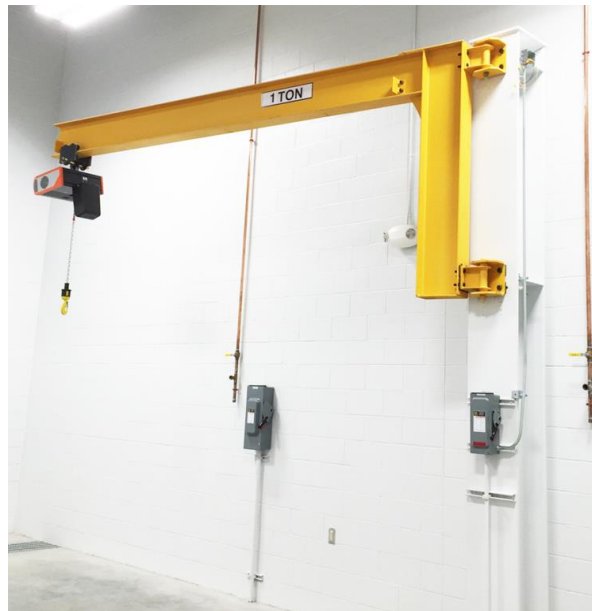
BZZ Boss Jib Crane is a new product which extended from Freestanding Jib Cranes. It adopts slowing ring and sectional arm structure. The hosting height of crane reaches 2.5-6 meters. The radius of working reaches 7-12 meters. As to operation, there are button control and telecontrol for choice. It is suit for metallurgy, railway, dock, mechanical manufacturing and so on. It also can replace bridge crane and gantry crane in many suitations. Because of high profit with less investment. This type of machine is really popular in international market.



Model	Capacity (kg)	Lifting speed (m/min)	Angle of Rotation	L(m)	R2(m)	R1(m)	h(m)
BZZ1 (7-12)	1000	8	Any angle	7-12	6.8-11.8	1.5	2.5-12
BZZ2 (7-10)	2000	8	Any angle	7-10	6.8-9.8	1.5	2.5-12
BZZ2 (7-12)	2000	8	Any angle	11-12	10.8-11.8	1.5	2.5-12
BZZ3 (7-10)	3000	8	Any angle	7-10	6.8-9.8	1.5	2.5-12
BZZ3 (11-12)	3000	8	Any angle	11-12	10.8-11.8	1.7	2.5-12
BZZ5 (7-10)	5000	8	Any angle	7-12	6.8-11.8	1.7	2.5-12
BZZ7-7-10	7000	0.7/7	Any angle	10	7	2	3-8
BZZ10-5	10000	0.7/7	Any angle	5.4	5	2	3-5

BZN type Jib Crane

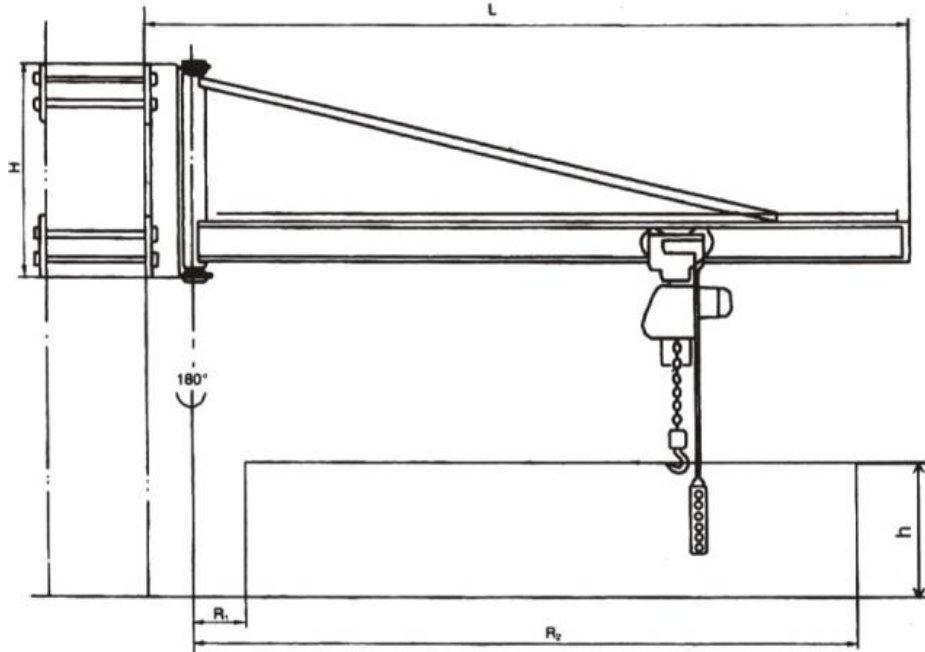
BZN Jib Crane is a new type crane equipment based on Freestanding Jib Cranes. This crane is very popular with the advantage of light dead weight, easy installation, lower cost and efficient. They can be used in workshop, warehouse and so on.



Model	Capacity (kg)	Lifting speed (m/min)	Angle of Rotation	L (mm)	R2 (mm)	R1 (mm)	h (mm)
BZN0.5	500	5/1.25	270°	5630	5000	720	3000
BZN1	1000	5/1.25					
BZN2	2000	5/1.25					



Wall Bracket Jib Crane



Model	Capacity (kg)	Lifting speed (m/min)	L (mm)	R2 (mm)	R1 (mm)
BZQ0.25	200	8/2	5420	5000	580
BZQ0.5	500	4/1	5430		530
BZQ1	1000	8/2	5440		520
BZQ2	2000	4/1	6340		450
BZQ3	3000	4/1	6340		450

W A L L B R A C K E T J I B C R A N E

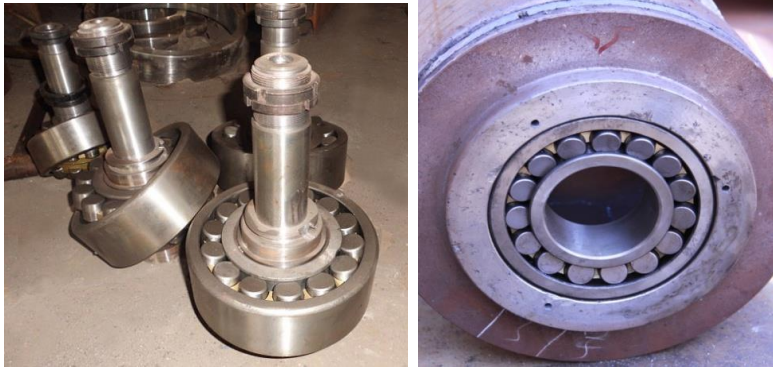
Wall Travelling Jib Crane



Model	Capacity (kg)	Length of arm (mm)	Lifting speed (m/min)	Hoist travelling speed (m/min)	Crane travelling speed (m/min)
BXQ0.25	250	5000	8/4	18-20	18-20
BXQ0.5	500	5000	8/4		

Product Catalogue

Parts and Spare Parts



Quality

Qualification

**中华人民共和国
特种设备制造许可证**
Manufacture License of Special Equipment
People's Republic of China

(起重机械) 编号: TS2441293-2016

单位名称: 河南省恒远起重机械集团有限公司
制造地址: 1. 河南省新乡市长垣县起重工业园区恒远大道6号
2. 河南省新乡市长垣县起重工业园区恒远大道105号

经审查, 核准从事下列起重机械的制造: (附表2)

类型	规格	型式	型号/参数
桥式起重设备	B	钢丝绳电动葫芦	CD ₁ 型 16t 及以下 MD ₁ 型 16t 及以下 BC ₁ 型 32t 及以下
	C	钢丝绳电动葫芦 (吊钩带棘爪机构)	HTT ₁ 型 16t 及以下 HTW ₁ 型 16t 及以下 BCD ₁ 型 16t、4t、0.5t、0.25t 及以下 BDC ₁ 型 32t、4t、0.5t、0.25t 及以下 BDD ₁ 型 16t、4t、0.5t、0.25t 及以下
梁臂式起重机	B	加藤链轮电葫芦	BC ₁ 型 16t 及以下
	C	柱式梁臂式起重机	BC ₁ 型 16t 及以下

发证机关: 河南省质量技术监督局
有效期至: 2016年10月14日
发证日期: 2012年10月14日

**中华人民共和国
特种设备制造许可证**
Manufacture License of Special Equipment
People's Republic of China

(起重机械) 编号: TS2441293-2016

单位名称: 河南省恒远起重机械集团有限公司
制造地址: 1. 河南省新乡市长垣县起重工业园区恒远大道6号
2. 河南省新乡市长垣县起重工业园区恒远大道105号

经审查, 核准从事下列起重机械的制造: (附表1)

类型	规格	型式	型号/参数
门式起重机	B	通用门式起重机	MD ₁ 型 75t 及以下 MD ₁ 型 15t 及以下 MD ₁ 型 32t 及以下 BC ₁ 型 30t 及以下 MD ₁ 型 50t 及以下 MD ₁ 型 40t 及以下 MD ₁ 型 32t 及以下
	B	电动葫芦门式起重机	MD ₁ 型 32t 及以下 MD ₁ 型 32t 及以下 MD ₁ 型 32t 及以下 MD ₁ 型 32t 及以下 MD ₁ 型 16t 及以下 MD ₁ 型 16t 及以下
C	电动葫芦门式起重机	MD ₁ 型 16t 及以下	

发证机关: 河南省质量技术监督局
有效期至: 2016年10月14日
发证日期: 2012年10月14日

**中华人民共和国
特种设备制造许可证**
Manufacture License of Special Equipment
People's Republic of China

(起重机械) 编号: TS2441293-2016

单位名称: 河南省恒远起重机械集团有限公司
制造地址: 1. 河南省新乡市长垣县起重工业园区恒远大道6号
2. 河南省新乡市长垣县起重工业园区恒远大道105号

经审查, 核准从事下列起重机械的制造:

类型	规格	型式	型号/参数
桥式起重机	C	电动葫芦桥式起重机	LH2型 10t 及以下 LHP型 10t 及以下
	B	通用门式起重机	MD ₁ 型 32/5t 及以下 MD ₁ 型 10t 及以下
门式起重机	C	通用门式起重机	MD ₁ 型 40t 及以下 MD ₁ 型 32t 及以下
	B	电动葫芦门式起重机	MD ₁ 型 40t 及以下 MD ₁ 型 32t 及以下

发证机关: 河南省质量技术监督局
有效期至: 2016年10月14日
发证日期: 2013年2月6日

IONet
THE INTERNATIONAL CERTIFICATION NETWORK
CERTIFICATE

IONet and CQM hereby certify that the organization
Xinxiang HYCrane Co., Ltd.
Domicile: North of The New Long Uptown, Hongqi District, Xinxiang City, Henan, P.R.China
Certification Address: North of The New Long Uptown, Hongqi District, Xinxiang City, Henan, P.R.China

Post code: 453002
is in conformity with
ISO 9001:2008 Standard

This certificate is valid to the following product(s)/service:
Design, development, manufacture, installation, alteration and maintenance of overhead crane, gantry crane, portal crane, light type crane equipment, design, development, manufacture of basket crane, ultra-large type crane machinery and relevant management activities

Issued on: 2019-08-18
Validity date: 2022-08-17
Registration Number: CN-0021551147R1M

Michael Drechsel
President of IQNET

Zhang Wei
President of CQM

IONet
THE INTERNATIONAL CERTIFICATION NETWORK
CERTIFICATE

IONet and CQM hereby certify that the organization
Xinxiang HYCrane Co., Ltd.
Domicile: North of The New Long Uptown, Hongqi District, Xinxiang City, Henan, P.R.China
Certification Address: North of The New Long Uptown, Hongqi District, Xinxiang City, Henan, P.R.China

Post code: 453002
is in conformity with
ISO 9001:2008 Standard

This certificate is valid to the following product(s)/service:
Design, development, manufacture, installation, alteration and maintenance of overhead crane, gantry crane, portal crane, light type crane equipment, design, development, manufacture of basket crane, ultra-large type crane machinery and relevant management activities

Issued on: 2019-08-18
Validity date: 2022-08-17
Registration Number: CN-0021551147R1M

Michael Drechsel
President of IQNET

Zhang Wei
President of CQM

IONet
THE INTERNATIONAL CERTIFICATION NETWORK
CERTIFICATE

IONet and CQM hereby certify that the organization
Xinxiang HYCrane Co., Ltd.
Domicile: North of The New Long Uptown, Hongqi District, Xinxiang City, Henan, P.R.China
Certification Address: North of The New Long Uptown, Hongqi District, Xinxiang City, Henan, P.R.China

Post code: 453002
is in conformity with
ISO 14001:2004 Standard

This certificate is valid to the following product(s)/service:
Design, development, manufacture, installation, alteration and maintenance of overhead crane, gantry crane, portal crane, light type crane equipment, design, development, manufacture of basket crane, ultra-large type crane machinery and relevant management activities

Issued on: 2019-08-18
Validity date: 2022-08-17
Registration Number: CN-0021551147R1M

Michael Drechsel
President of IQNET

Zhang Wei
President of CQM

ISET S.r.l.

CERTIFICATE OF COMPLIANCE
Certificado de Conformidade - Certyficaat conformiteit - Konformitätszertifikat

1) APPLICANT: Xinxiang HYCrane Co., LTD
2) CERTIFICATE NO: IES0150170627

3) WITH REFERENCE TO EC DIRECTIVE APPLIED: Machinery Directive 2006/42/EC
4) CERTIFICATION ISET MARK: TCF171-11-MD

5) PRODUCT CHARACTERISTICS: 3t Crane
MODELS: HZ, B7D, SX, EVD, B7D, RZM

6) DATE OF ISSUE: 17/06/2017
DATE OF EXPIRE: 16/06/2022

CERTIFICATION MANAGER: [Signature]



Contact:

Ms. Taurus Guo

Tel: 0086-373-2712388

Fax: 0086-373-2052719

Mob: 0086 13569807163

Skype: taurus92323

Email: info@hycranes.com

Web: www.hycranes.com

Xinxiang HY Crane Co.,Ltd

